

# Modem Cradles

Integrated  
Integrated  
Easy  
Easy



**8000 Modem Cradle**



**8300 Modem Cradle**



**Easy Communication**



- 56 Kbps
- Integrated Modems
- Easy to Use

# Modem Cradles

## Specifications

### Power & Communication

- Power Supply: 5V DC
- Charging current: 500mA
- Transmission speed: 38,400 bps
- Modem: 56 Kbps

### General Characteristics

- Complete data/fax modem solution with Conexant Chipset
- Data modem: ITU-T V.90, V.34, V.32bis, V.32, V.22 bis, V.22, V.23, V.21 Bell 212A, Bell 103, V.42 LAPM and MNP 2-4 error correction, -V.42 bis and MNP 5 data compression
- 14.4 kbps Fax modem send/receive: -V.17, V.29, V.27 ter, V.21 channel 2, EIA/TIA 578 Class 1 commands, ITU-T Group 3 compatible fax machines and fax modems
- Flow control and speed buffering, automatic format/speed sensing, Power consumption DC 5V / 200mA (Max.)

### Environmental

- Operating temperature: 0° to 50° C
- Storage Temperature: -20° to 70° C

### Warranty

1 Year

### Names of parts and functions



- A: Phone Jack (RJ11C)
- B: Line Jack (RJ11C)
- C: RS232 connector
- D: Power input connector (5V DC)



8000 with modem cradle

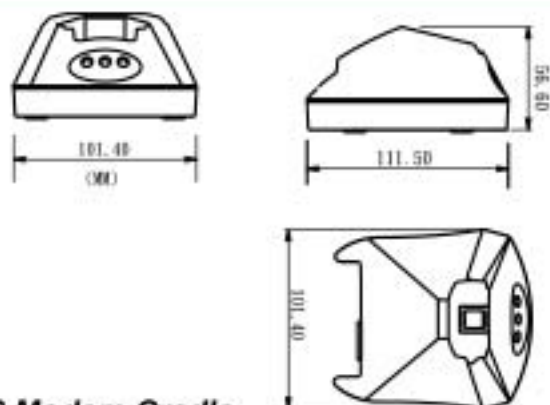
### Operation

1. Insert the AC adaptor into the outlet and connect it's DC jack to the modem cradle
2. Connect the telephone line to the modem cradle
3. Place the terminal in the modem cradle

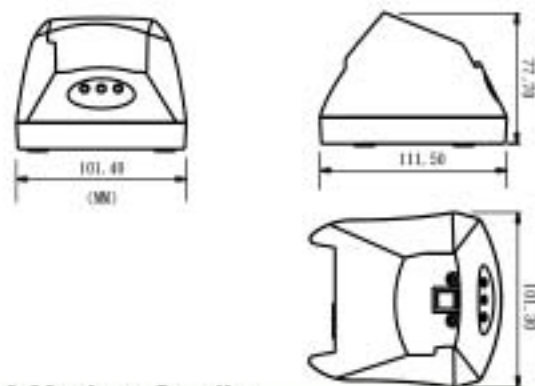


8300 with modem cradle

## Dimensions



8000 Modem Cradle



8300 Modem Cradle



Headquarters  
Syntech Information Co., Ltd.  
5F, No. 196-3, Ta-Tung Road,  
Sec. 3, Hsi-Chih,  
Taipei Hsien, Taiwan  
TEL: +886 2 8647 3300  
FAX: +886 2 8647 1155  
www.cipherlab.com.tw

USA  
Syntech West Inc.  
3404 57th Street NW Suite B  
Gig Harbor, WA 98335  
U.S.A.  
TEL: +1 253 858 7908  
FAX: +1 253 858 7713  
www.cipherlab.com