



# nyloflex<sup>®</sup> Cutting Table FV

Cutting table designed for cutting foil based photopolymer printing plates

Wide web format, suitable for processing high quality photopolymer plates up to a maximum thickness of 7 mm (0.28")

## Excellent quality and consistency

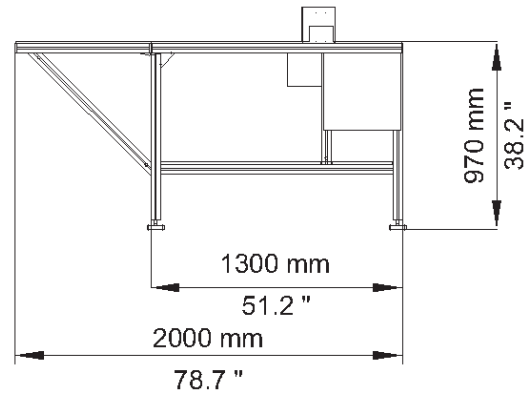
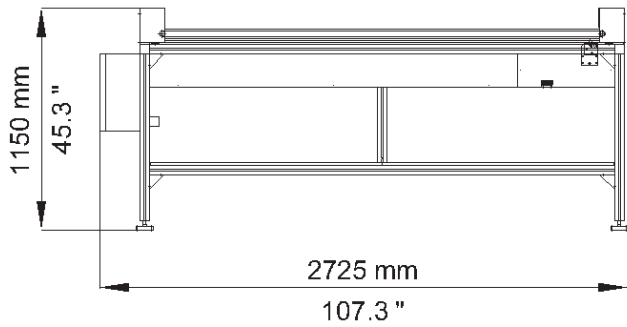
- cutting width of 2100 mm (82.7")
  - suitable for plates up to a maximum format of 1320 x 2032 mm (52 x 80")
- fast, precise and safe cutting of polyester foil based plates with clean burr-free edges
- cutting blade and clamp are operated by compressed air

## Easy and comfortable handling

- clamp opening up to 8 mm (0.31") provides space to easily manoeuvre all plate thicknesses
- two-handed operation for optimum safety
- illuminated cutting channel allows precise positioning and cutting of the plate
- easy maintenance with quick replacement of the cutting blade

# nyloflex® Cutting Table FV

## Equipment dimensions



Technical data	nyloflex® Cutting Table FV
Maximum cutting width	2100 mm (82.7")
Maximum cutting thickness	7 mm (0.28")
Electrical connection	230 V, 50/60 Hz (1 Ph/N/PE)
Nominal current	1 A
Nominal power	0.2 kW
Compressed air	male coupling, 7.2 mm, 8–10 bar (0.28", 116–145 PSI)
Weight (approx.)	320 kg (705 lbs) net 640 kg (1411 lbs) gross
Crate dimensions (W x D x H)	2930 x 1480 x 1480 mm (115.4" x 58.3" x 58.3")

You are welcome to contact us for further information.

**Flint Group Germany GmbH**  
Sieglestrasse 25  
70469 Stuttgart  
Germany

T +49 711 9816-301  
F +49 711 9816-801  
info.flexo@flintgrp.com  
www.flintgrp.com

All information in this document is based on our present knowledge and experience at the time of printing. Due to the multitude of factors influencing the processing and application of our products, it does not exempt the user from testing and calibrating. Nor does it imply any legally binding assurance concerning specific properties of the products or the suitability for a particular application. The responsibility of observing any possible industrial property rights, laws and regulations is the obligation of the user. Subject to technical changes without prior notice. Product names marked ® are registered trademarks of Flint Group.