



nyloflex[®] ITR Exposure

Time saving equipment for the main exposure of one or two ITR (In-The-Round) photopolymer sleeves

Proven in combination with nyloflex[®] ITR Processor and nyloflex[®] ITR Sleeves

Product features

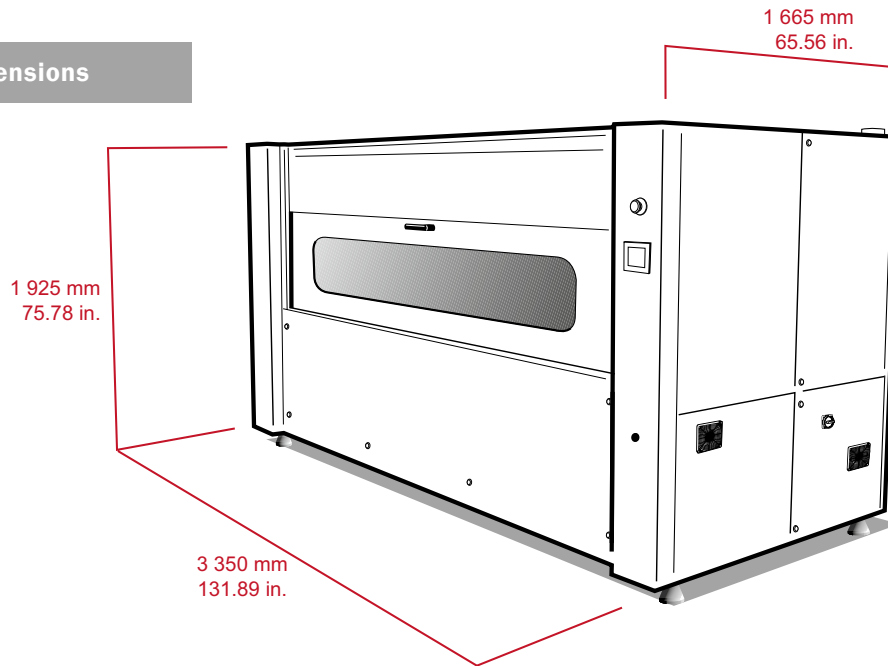
- parallel exposure of two sleeves possible
- suitable for sleeves up to 1800 mm width / 1037 mm repeat
- easy operation through touch screen display and self-explanatory software
- temperature controlled exhaust air fan system to ensure constant exposure conditions
- memory to store 32 different exposure programs
- easily accessible
- connection of peripheral devices feasible

Advantages of In-The-Round Technology

- Perfect for endless designs and seamless printing
- Ideal for high speed printing, long runs and repeat orders
- Superior print quality – repeatable and constant
 - high register accuracy due to extremely low circumferential tolerance and full digital workflow (no manual plate mounting)
 - very good consistency on press due to high standardisation
 - no plate lift
 - suitable for all substrates due to excellent ink transfer
 - screen rulings up to 60l/cm (150 lpi) possible
- Excellent economical characteristics
 - reduced start-up waste of substrate and ink
 - improved machine run times
 - less work – no plate mounting
 - long life time of printing form
 - fast set-up times

nyloflex® ITR Exposure

Equipment dimensions



Technical data	nyloflex® ITR Exposure
Sleeve width	300 mm - 1800 mm (11.8" - 70.9")
Sleeve repeat	266 mm - 1037 mm (10.5" - 40.8")
Sleeve weight	max. 60 kg (132 lbs)
Electrical connection	400V, 50 - 60 Hz (3 Ph/N/PE)
Nominal power	10 kW
Compressed air	no
Exhaust air flow rate	1400 m ³ /h
Exposure tubes	2 x 38 pcs., TL 60 W 10R (UV-A)
Weight (approx.)	1100 kg (2425 lbs) net 2450 kg (5401 lbs) gross
Crate dimensions	3620 x 1750 x 2140 mm (142.5 x 68.9 x 84.3")

You are welcome to contact us for further information.

Flint Group Flexographic Products
Sieglestrasse 25
70469 Stuttgart
Germany

T +49 711 9816-301
F +49 711 9816-801
info.flexo@flintgrp.com
www.flintgrp.com

All information in this document is based on our present knowledge and experience at the time of printing. Due to the multitude of factors influencing the processing and application of our products, it does not exempt the user from testing and calibrating. Nor does it imply any legally binding assurance concerning specific properties of the products or the suitability for a particular application. The responsibility of observing any possible industrial property rights, laws and regulations is the obligation of the user. Subject to technical changes without prior notice. Product names marked ® are registered trademarks of Flint Group.