



nyloflex[®] Flowline Washer FV

Premium quality system with inline washout, rinsing, after-cleaning and pre-drying

Wide web format, suitable for processing high quality photopolymer plates up to a maximum size of 1320 x 2032 mm (52.0" x 80.0")

Excellent productivity and consistent washout results due to high automation

- process safety due to programmed plate processing parameters for transport speed, brush height and solvent temperature
- automated brush height setting for optimum pressure according to plate thickness, resulting in faster washout speed, less plate swelling and mechanical stress
- standby mode allows automatic feed of the next plate
- temperature controlled washout solvent with a highly efficient heating/cooling device
- integral reverse-side plate cleaning allows efficient plate mounting
- closed continuous inline washout system, including pre-drying

Ecologically friendly and economical due to efficient usage of solvent

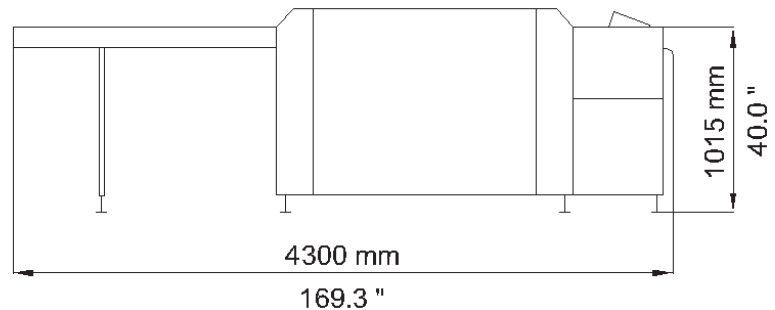
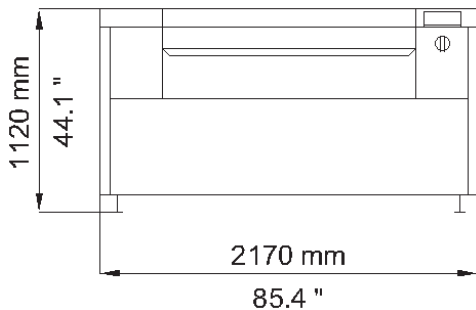
- integrated solid content measurement to regulate the addition of fresh solvent
- intelligent exhaust system reduces emission rates and consumption of solvent (especially alcohol)
- plate-length detection system ensures minimum solvent and energy consumption

Easy and comfortable handling

- single person operation via touch screen
- easy plate input due to a pneumatic lowering device
- low noise level during operation
- excellent reliability and long service life
- transparent covers allows visual monitoring of the plate during processing

nyloflex® Flowline Washer FV

Equipment dimensions



Technical data	nyloflex® Flowline Washer FV
Maximum plate size (W x L)	1320 mm x 2032 mm (52.0" x 80.0")
Minimum plate size (W x L)	200 mm x 100 mm (7.9" x 3.9")
Electrical connection	230 V, 50/60 Hz (3 Ph/PE) / 400 V, 50/60 Hz (3 Ph/N/PE)
Nominal current	23 A / 19 A
Nominal power	7.0 kW
Exhaust air flow rate	min. 200 Nm ³ /h (118 CFM)
Compressed air for washer	male coupling, 7.2 mm, 6 bar (0.28", 87 PSI)
Compressed air for plate punch	male coupling, 7.2 mm, 7 bar, 200 l/min (0.28", 102 PSI, 7.1 CFM)
Fresh solvent connection	R ½"
Waste solvent connection	R ½"
Weight (approx.)	1370 kg (3020 lbs) net 2150 kg (4740 lbs) gross
Crate dimensions (W x D x H)	4750 x 2300 x 1700 mm (187.0" x 90.6" x 66.9")
Recommended ambient temp.	20 - 25 °C (68 - 77 °F)

Washout solvent

We recommend the environmentally friendly nylosolv® washout solvents. If other washout solvents are to be used, we advise to check its suitability with a Flint Group Flexographic Products technician before using it.

You are welcome to contact us for further information.

Flint Group Flexographic Products
Sieglestrasse 25
70469 Stuttgart
Germany

T +49 711 9816-301
F +49 711 9816-801
info.flexo@flintgrp.com
www.flintgrp.com

All information in this document is based on our present knowledge and experience at the time of printing. Due to the multitude of factors influencing the processing and application of our products, it does not exempt the user from testing and calibrating. Nor does it imply any legally binding assurance concerning specific properties of the products or the suitability for a particular application. The responsibility of observing any possible industrial property rights, laws and regulations is the obligation of the user. Subject to technical changes without prior notice. Product names marked ® are registered trademarks of Flint Group.