



nyloprint[®] Combi 96x120 ED

Premium quality system for main exposure, drying and post exposure of nyloprint[®] plates

Mid-size format, suitable for processing high quality photopolymer plates up to a maximum size of 1200 x 960 mm (47.2" x 37.8")

High productivity, reliability and safety due to process control

- easy designed operation panel displaying all necessary times and settings
 - 10 memory programmes for exposure
 - four drying drawers with individual drying time settings and count down facility
- highly efficient heating and exhaust air extraction system ensures an efficient and uniform drying
- recommended chilling device (Temperature Control Unit 600 – 500) to ensure consistent temperature of the vacuum plate is optionally available
- consistent exposure with 21 high output UV-A tubes (80 W), built-in reflectors and electronic starters
 - operating status of each tube is monitored and shown on the LED indicator
 - the operating hours of the tubes are recorded and can be displayed on request

Highly efficient due to a compact design and low cost

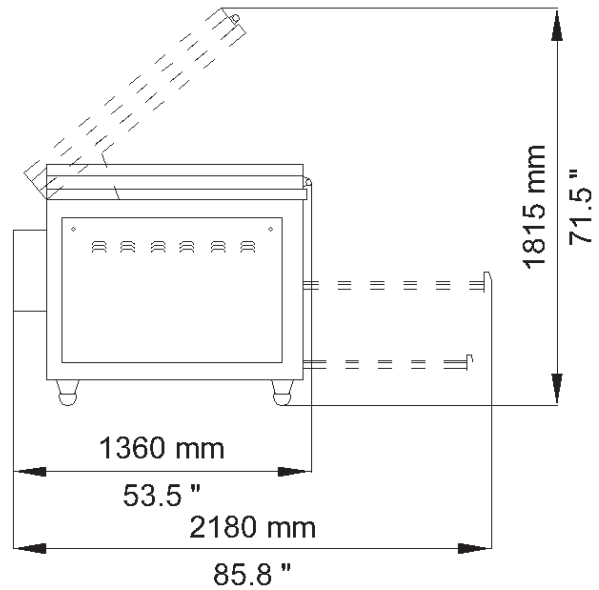
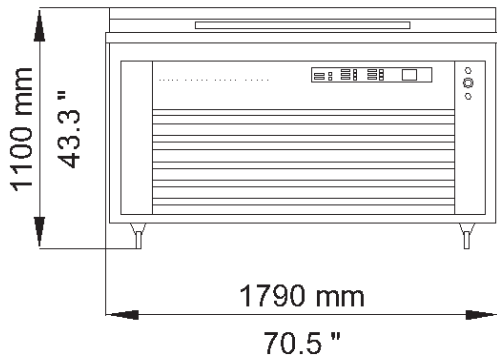
- space saving with exposure and drying in one device
- cost effective solution
 - all-in-one design
 - economical features

Easy and comfortable handling

- easy to operate by display
- easy to move to any position due to lockable swivel wheels

nyloprint® Combi 96 x 120 ED

Equipment dimensions



Technical data	nyloprint® Combi 96 x 120 ED
Maximum plate size (W x L)	1200 mm x 960 mm (47.2" x 37.8")
Electrical connection	230 V, 60 Hz (3 Ph/PE) / 400 V, 50 Hz (3 Ph/N/PE)
Nominal current	36 A / 21 A
Nominal power	10.0 kW
Exhaust air flow rate	min. 800 Nm ³ /h (470 CFM)
Exposure tubes	21 pcs., TL 80 W 10R (UV-A), 1500 mm (59.1")
Vacuum (foil)	1400 mm (55.0") wide
Weight (approx.)	500 kg (1100 lbs) net 670 kg (1480 lbs) gross
Crate dimensions (W x D x H)	1820 x 1540 x 1330 mm (71.7" x 60.6" x 52.4")
Recommended ambient temp.	20 - 25 °C (68 - 77 °F)

You are welcome to contact us for further information.

Flint Group Germany GmbH
Sieglestrasse 25
70469 Stuttgart
Germany

T +49 711 9816-301
F +49 711 9816-801
info.flexo@flintgrp.com
www.flintgrp.com

All information in this document is based on our present knowledge and experience at the time of printing. Due to the multitude of factors influencing the processing and application of our products, it does not exempt the user from testing and calibrating. Nor does it imply any legally binding assurance concerning specific properties of the products or the suitability for a particular application. The responsibility of observing any possible industrial property rights, laws and regulations is the obligation of the user. Subject to technical changes without prior notice. Product names marked ® are registered trademarks of Flint Group.