



nyloprint[®] Flowline Washer DWT 90

Compact, tankless flowline system for washout, drying and post exposure

Large-size flowline combination, suitable for processing water washable printing plates up to a maximum width of 900 mm (35.4")

High productivity and reliability due to excellent build quality

- flowline system for processing water washable printing plates – washout, rinsing, drying and UV-A post exposure all made automatically in line
- less mechanical stress due to a proven “plush” system that prevents the washing away of fine elements
- indication of water temperature and control of flowspeed
- direct water supply to reduce the level of contamination in the washout section, thus reducing downtime due to maintenance cleaning
- automatic lowering of squeegee roller
- excellent build quality offering a long service life

Simple operation and convenient handling

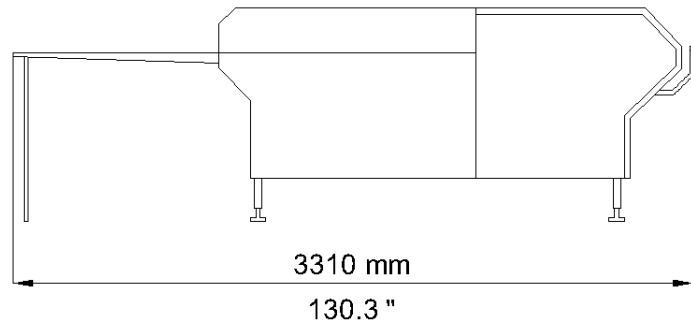
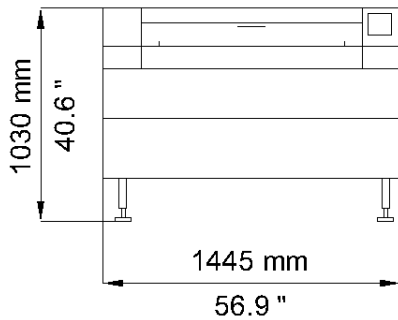
- simple operation due to a touch screen display
- single person operated system
- two easily adjustable plush carriers
- low noise level during operation

Additional components

- includes an “adhesive” carrier plate for processing foil based plates and a “magnetic” carrier plate for steel based plates
- optional brushes and a soft squeegee roller available for special applications

nyloprint® Flowline Washer DWT 90

Equipment dimensions



| Technical data | nyloprint® Flowline Washer DWT 90 |
|------------------------------|---|
| Maximum plate width | 900 mm (35.4") |
| Electrical connection | 230 V, 60 Hz (3 Ph/PE) / 400 V, 50 Hz (3 Ph/N/PE) |
| Nominal current | 16 A / 12 A |
| Nominal power | 8 kW |
| Fresh water connection | R ½", 2 - 4 bar (29 - 58 PSI) |
| Fresh water consumption | flow rate 0.7 m³/h (0.41 CFM) at 30 °C (86 °F) |
| Waste water connection | 40 mm (1.6") |
| Exhaust air connection | Ø 50 mm (2") |
| Exhaust air flow rate | 50 Nm³/h (30 CFM) (approx.) |
| Transport speed | 40 - 350 mm/min (0.13 - 1.15 ft/min) |
| Post exposure tubes | 16 pcs., TLK 40 W 10 R (UV-A), 590 mm (23.2") |
| Heating capacity of dryer | 6 kW |
| Weight (approx.) | 530 kg (1169 lbs) net 920 kg (2028 lbs) gross |
| Crate dimensions (W x D x H) | 3050 x 1850 x 1250 mm (120.1" x 61.0" x 59.1") |

You are welcome to contact us for further information.

Flint Group Flexographic Products
Sieglestrasse 25
70469 Stuttgart
Germany

T +49 711 9816-301
F +49 711 9816-801
info.flexo@flintgrp.com
www.flintgrp.com

All information in this document is based on our present knowledge and experience at the time of printing. Due to the multitude of factors influencing the processing and application of our products, it does not exempt the user from testing and calibrating. Nor does it imply any legally binding assurance concerning specific properties of the products or the suitability for a particular application. The responsibility of observing any possible industrial property rights, laws and regulations is the obligation of the user. Subject to technical changes without prior notice. Product names marked ® are registered trademarks of Flint Group.